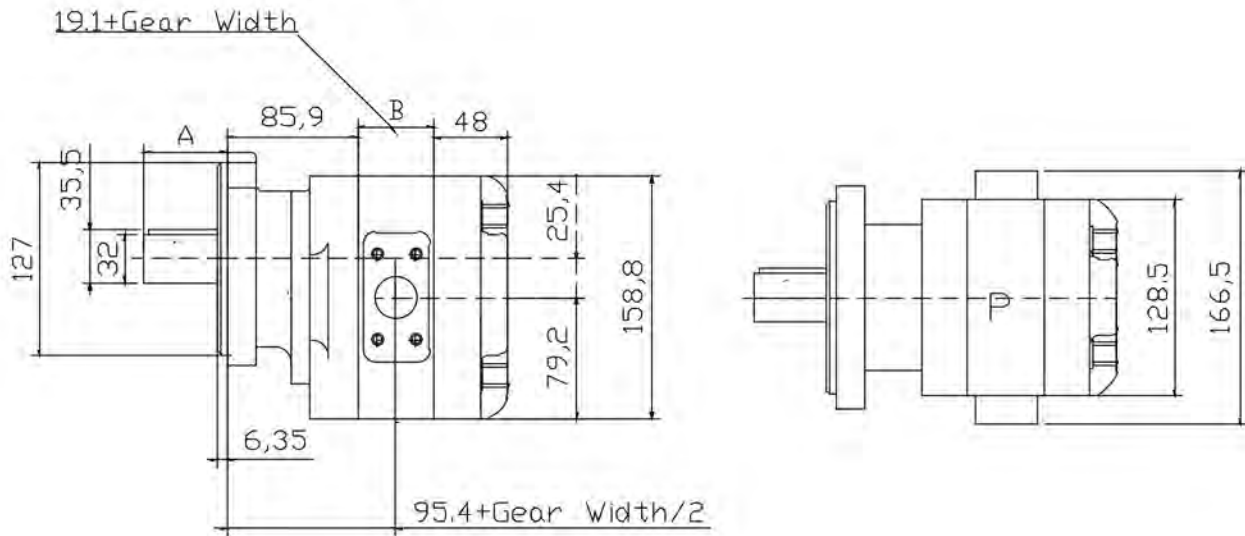
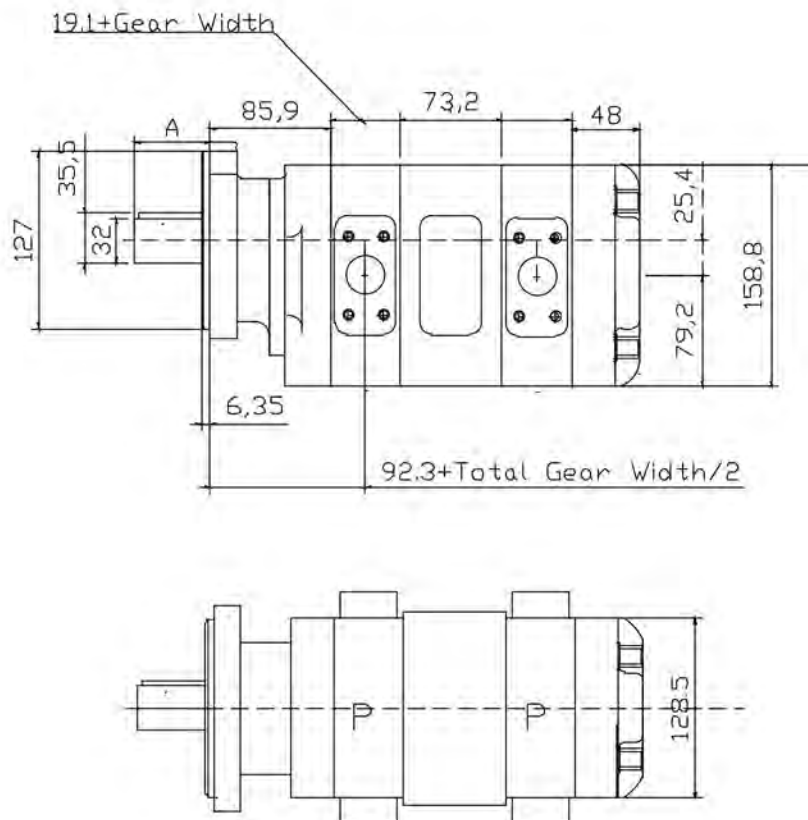


Mounting And Connecting Size

SINGLE UNIT

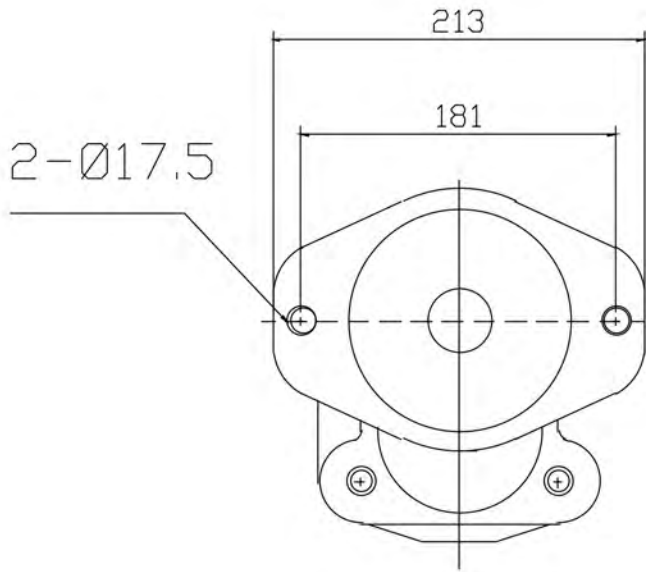


TANDEM UNIT

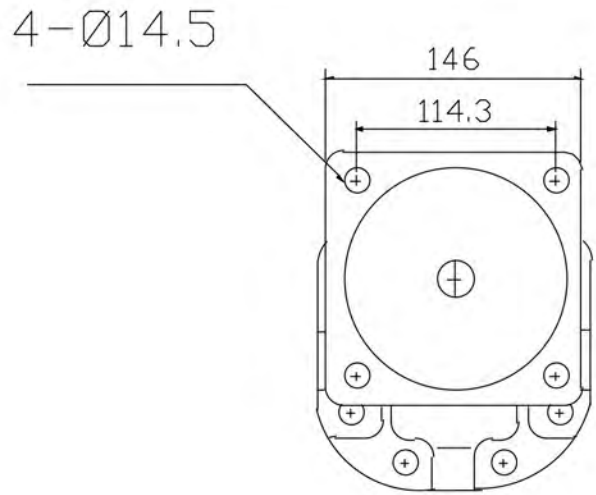


***A : See Drive Shaft Codes**

Front Cover Type



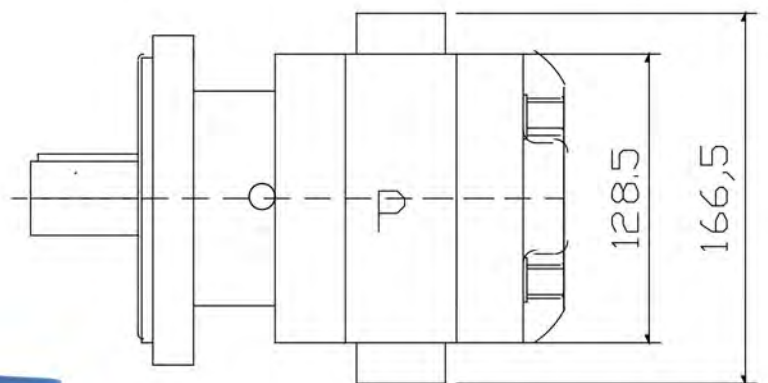
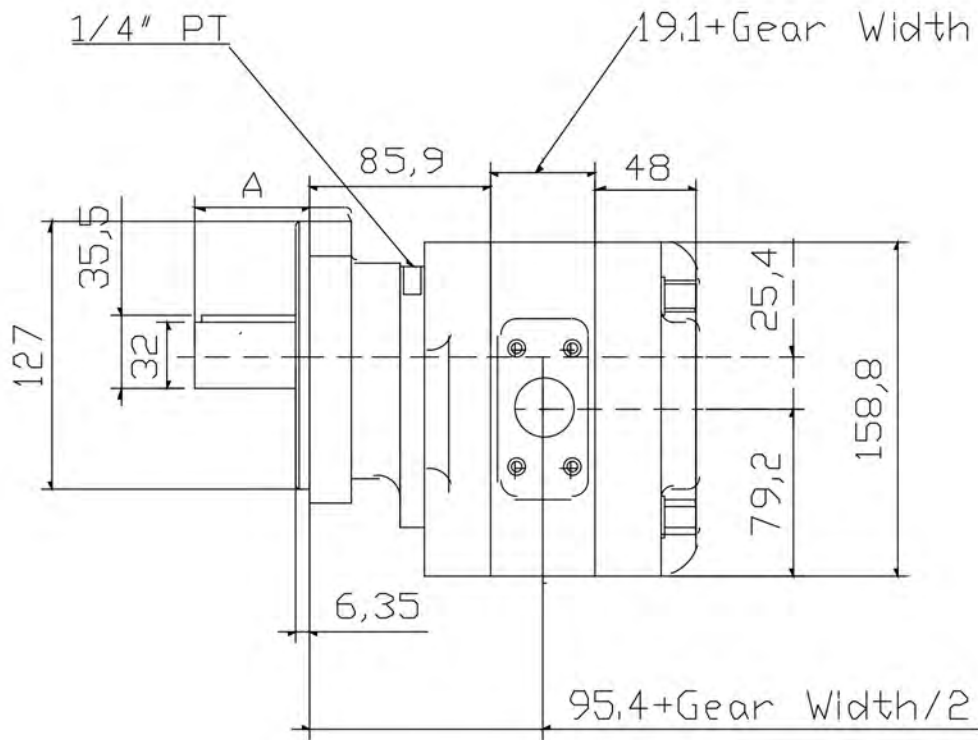
*SAE "C" 2-Bolt



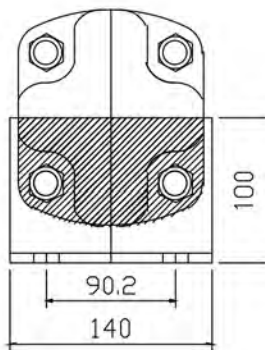
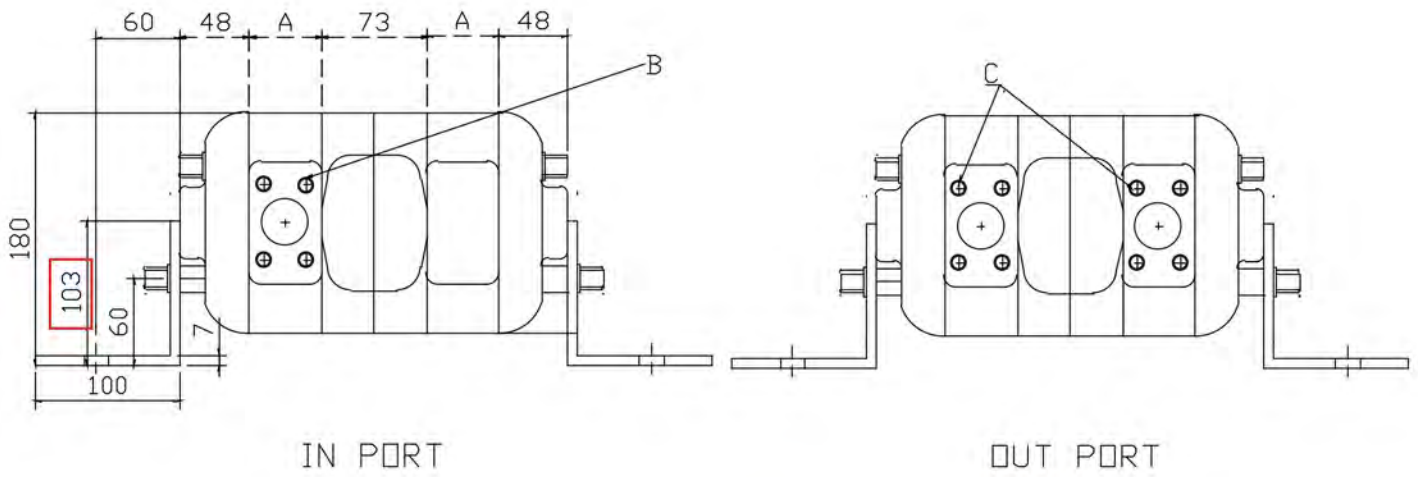
*SAE "C" 4-Bolt



Mounting And Connecting Size



PERFORMANCE DATA



DSAP 50

Type	Displacement (cc/rev)	Port(inch)		PREESSURE (bar)	Working Speed (bar)	A
		IN	OUT			
DSAP50 - 40	40	1	3/4	210	900 - 2100	44.5
DSAP50 - 50	50	1 1/4	1	210		50.8
DSAP50 - 63	63	1 1/2	1 1/4	210		57.2
DSAP50 - 70	70	1 1/2	1 1/4	210		63.6
DSAP50 - 80	80	2	1 1/2	210		69.9
DSAP50 - 90	90	2	1 1/2	180		76.3
DSAP50 - 100	100	2	1 1/2	180		82.6

B&C : SEE FLANGE TYPE

Flange Type

