

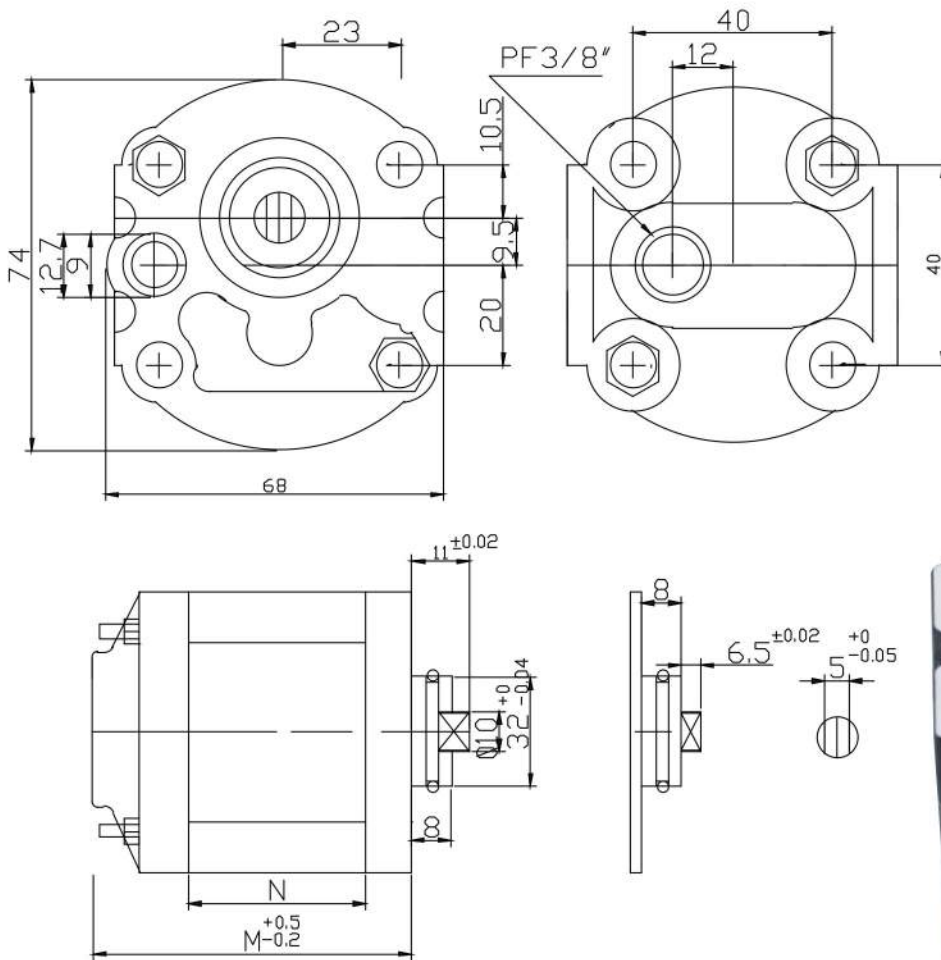
## ASESA Hydraulic Gear Pump 10 Series



### PERFORMANCE DATA

Type	Displacement (cm/mm)	Min. Speed r.p.m	Max. speed r.p.m	Max operating pressure at 1500rpm(kg/cm)	Pump Flow 1500rpm/L	Max peak pressure (kg/cm)
SAP10 - 1.0	1.0	600	4500	250	1.5	270
SAP10 - 2.0	2.0	600	4500	250	3.0	270
SAP10 - 3.2	3.2	600	3500	250	4.8	270
SAP10 - 4.0	4.0	600	3500	240	6.0	250
SAP10 - 5.0	5.0	600	3500	240	7.5	230
SAP10 - 6.3	6.3	600	3500	230	9.5	230
SAP10 - 8.0	8.0	600	3000	220	12.0	210

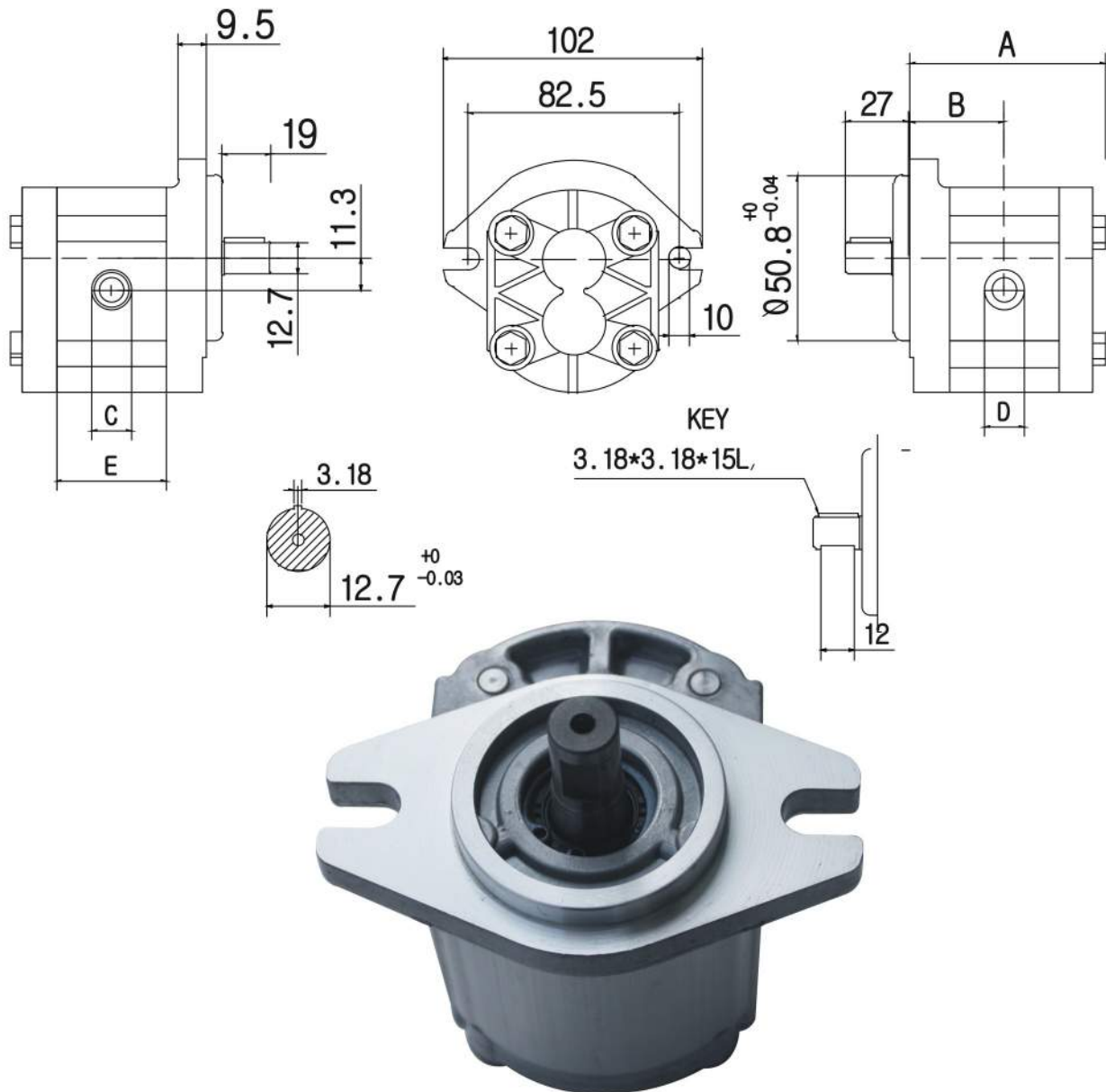
Mounting And Connecting Size



PERFORMANCE DATA

Type	Displacement (cm/rev)	Litri/min at 1500 r.p.m	Max operating pressure at 1500r/m.bar	Max peak pre. At 3000r/m.bar	Max speed r.p.m	M	N
SAP10 - 1.1	1.1	1.65	210	250	4500	74	36
SAP10 - 1.3	1.3	1.95	210	250	4500	75	37
SAP10 - 1.6	1.6	2.40	210	250	4500	76	38
SAP10 - 2.1	2.1	3.15	210	250	4500	78	40
SAP10 - 2.7	2.7	4.05	210	250	4000	80	42
SAP10 - 3.2	3.2	4.80	200	240	3800	82	44
SAP10 - 3.7	3.7	5.55	200	240	3200	84	46
SAP10 - 4.2	4.2	6.30	180	220	2800	85	48
SAP10 - 4.8	4.8	7.20	180	220	2500	88	50
SAP10 - 5.8	5.8	8.70	170	210	1800	92	54
SAP10 - 8.0	8.0	12.00	170	210	1500	100	62

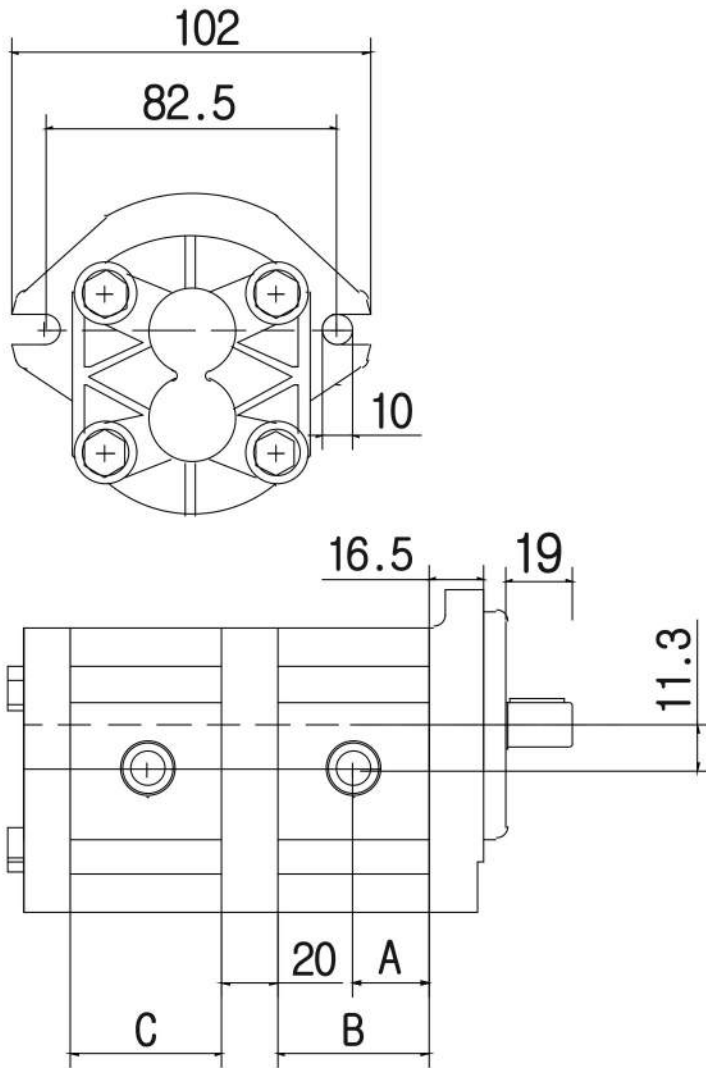
Mounting And Connecting Size



**DIMENSIONS & PORT SIZE**

Type	A	B	E	C(IN) (PS)	D(OUT) (PS)
	mm	mm	mm		
SAP10 - 1.0	67.7	33.6	35.8	3/8"	3/8"
SAP10 - 2.0	70.9	35.2	38.3		
SAP10 - 3.15	74.5	37.0	41.8		
SAP10 - 4.0	77.3	38.4	44.8	1/2"	1/2"
SAP10 - 5.0	80.5	40.0	47.8		
SAP10 - 6.3	84.5	42.0	51.8		
SAP10 - 8.0	90.0	44.8	57.8		

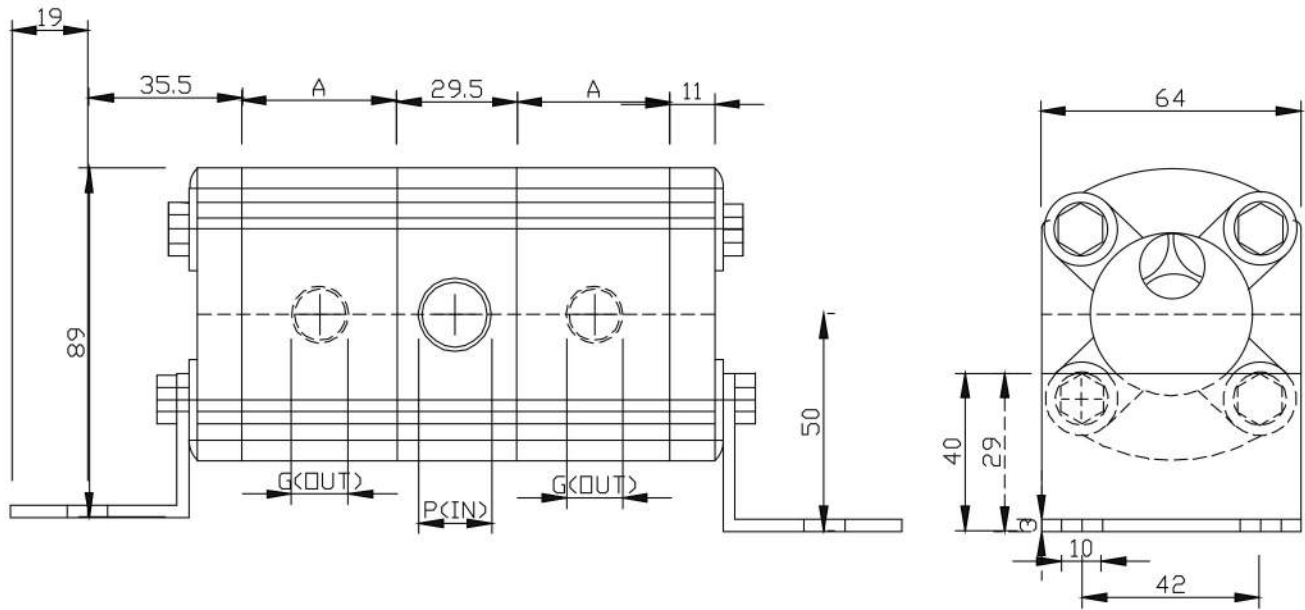
Mounting And Connecting Size



**DIMENSIONS & PORT SIZE**

Type	A	B	C
	mm	mm	mm
SAP10 - 1.0*1.0	17.9	35.8	35.8
SAP10 - 2.0*2.0	19.2	38.3	38.3
SAP10 - 3.2*3.2	20.9	41.8	41.8
SAP10 - 4.0*4.0	22.8	44.8	44.8
SAP10 - 5.0*5.0	23.9	47.8	47.8
SAP10 - 6.3*6.3	25.9	51.8	51.8
SAP10 - 8.0*8.0	28.9	57.8	57.8

Mounting And Connecting Size



DIMENSIONS & PORT SIZE

ELEMENTS OF DIVIDER					
Type	A	IN.NET(P)	OUT.NET(G)	PRESSURE (BAR)	SPEED (RPM)
DSAP10 - 2	38.3	1/2"PS	3/8"PS	250	900-2500
DSAP10 - 4	44.8	1/2"	1/2"	250	900-2500