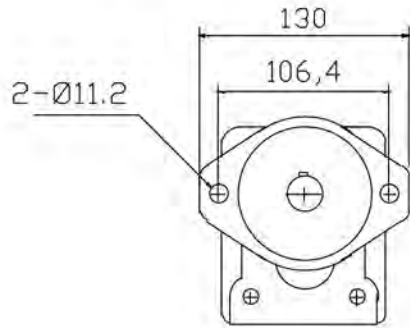
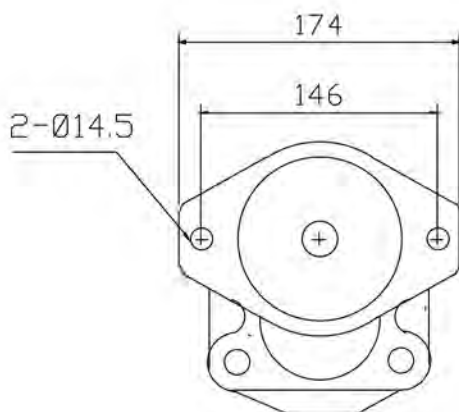
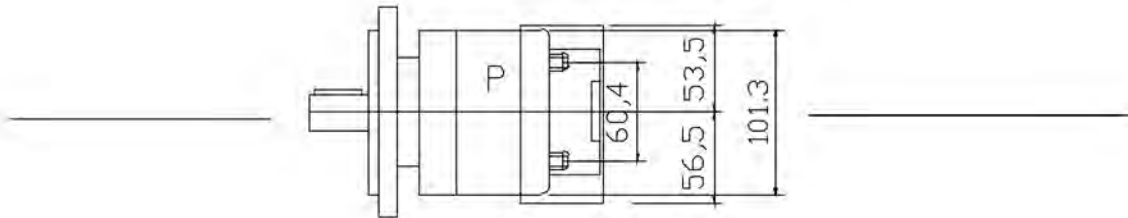
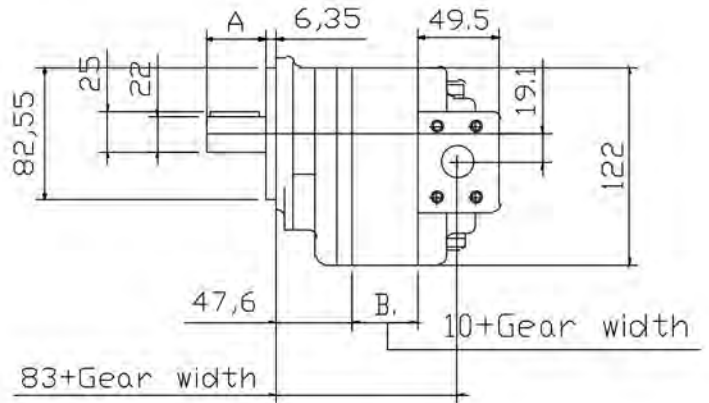


Mounting And Connecting Size

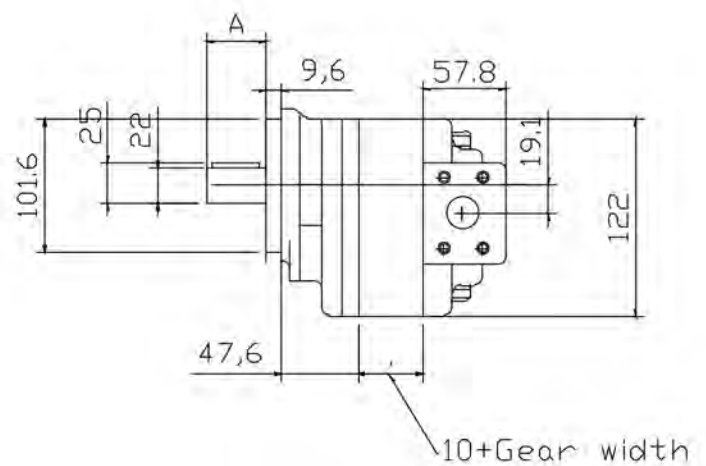
SINGLE



*SAE "A" 2-Bolt

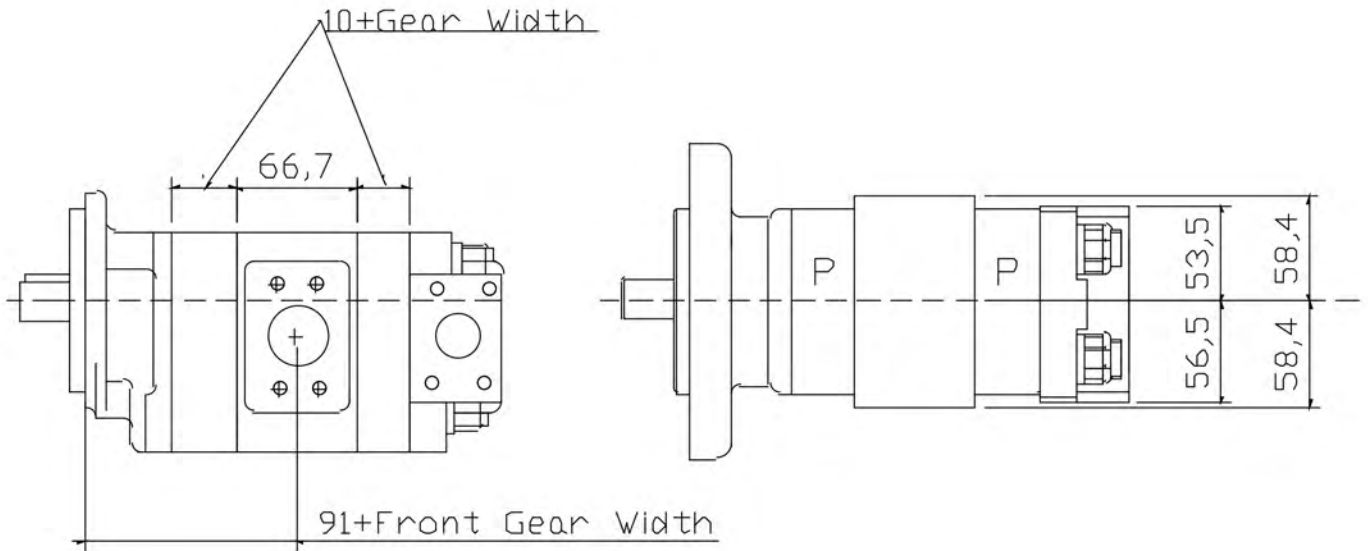


*SAE "B" 2-Bolt



*A : See Drive Shaft Codes

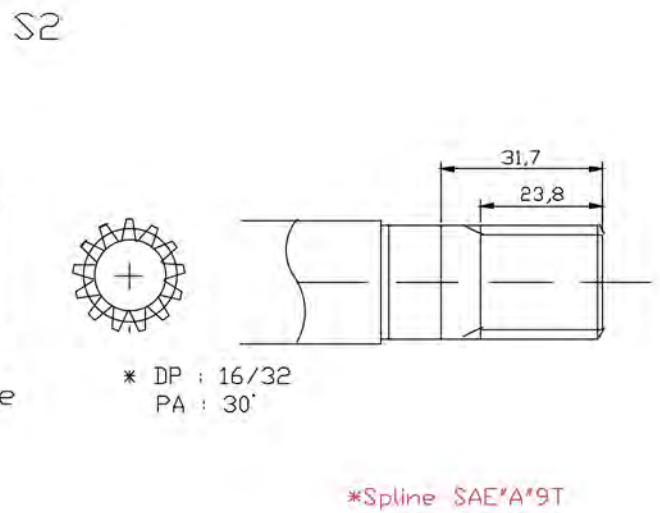
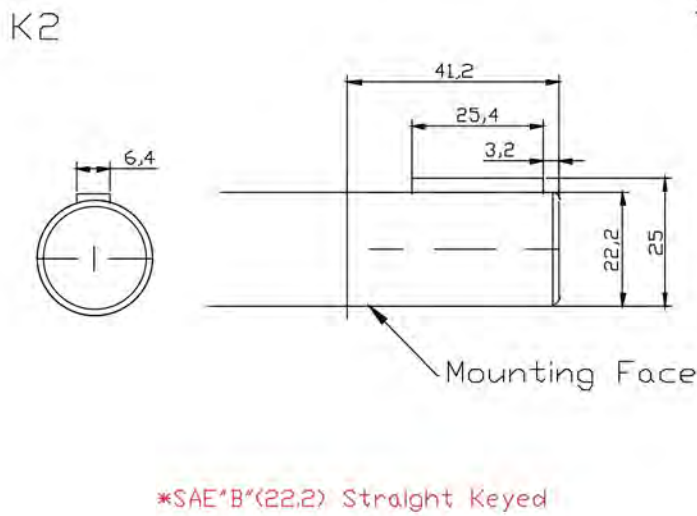
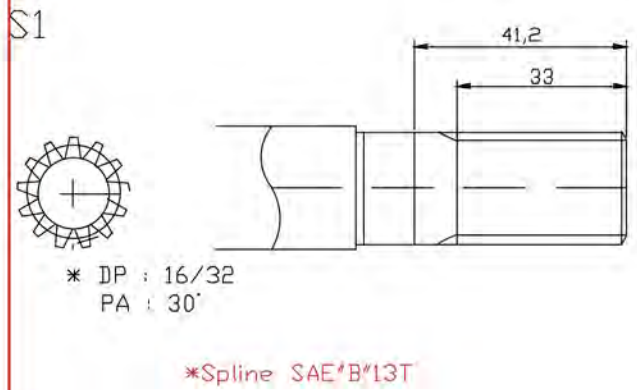
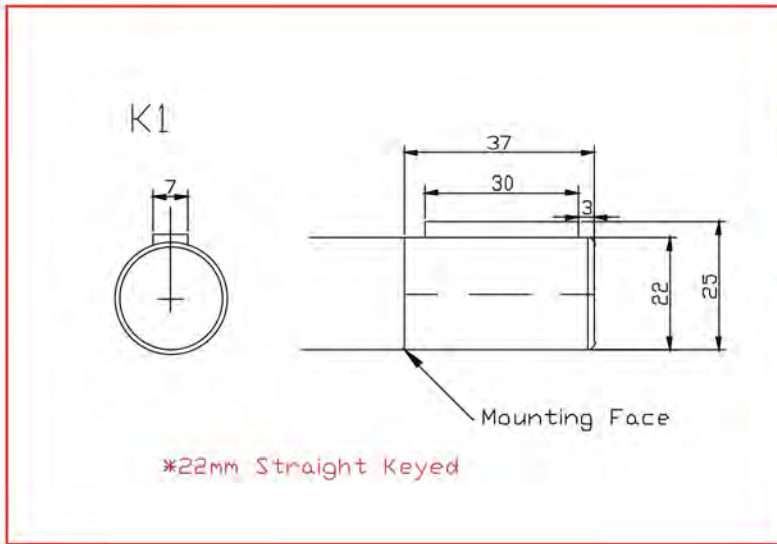
Mounting And Connecting Size



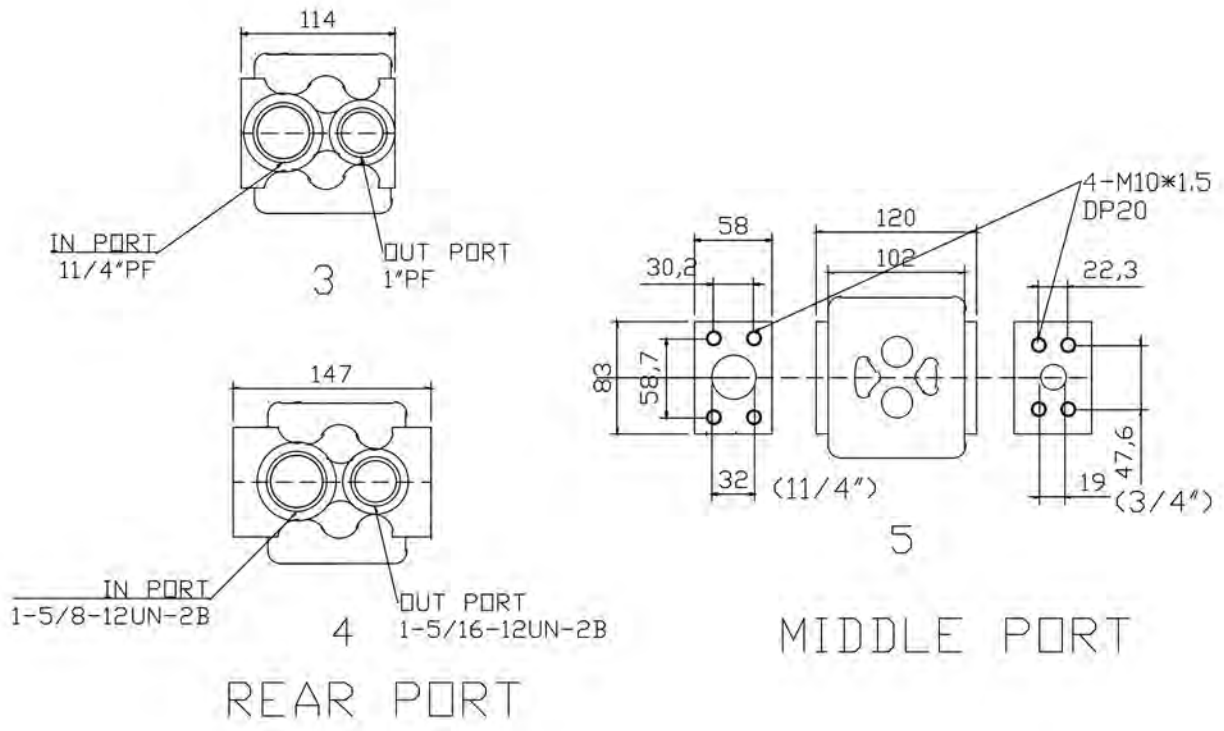
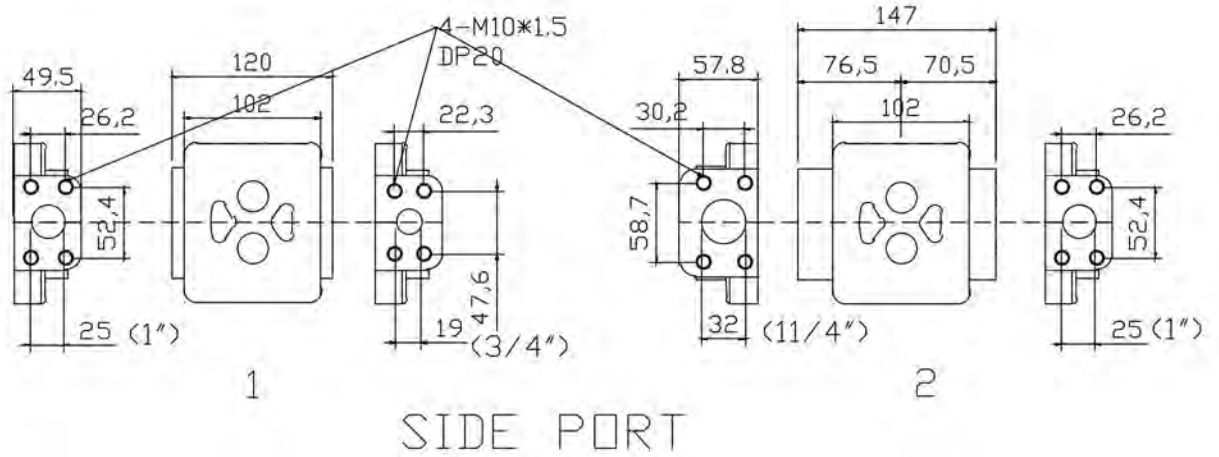
TANDEM



Drive Shaft Type



Back Cover Type



Drive Shaft Type

