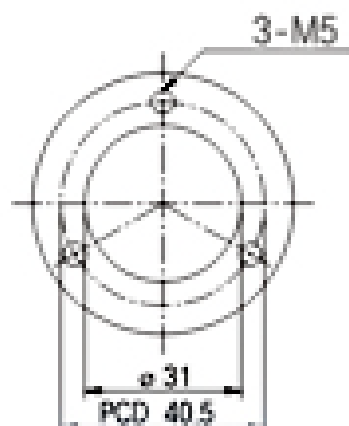
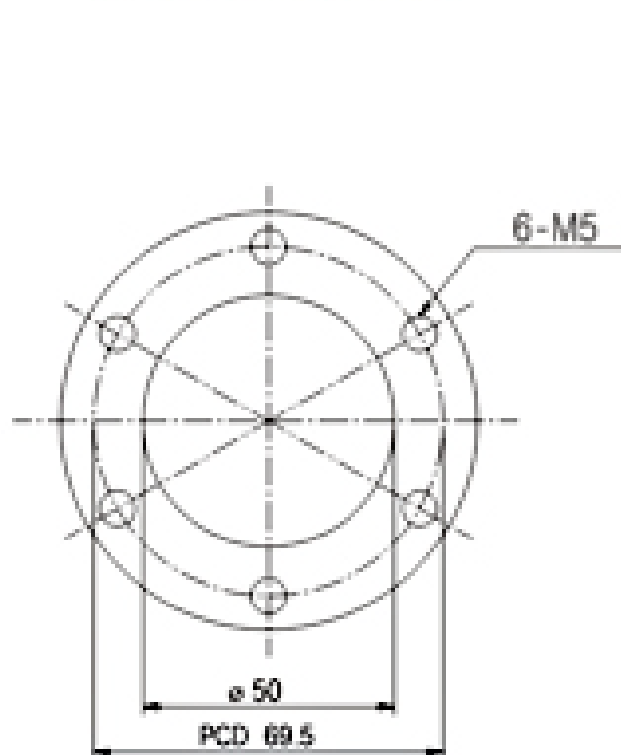


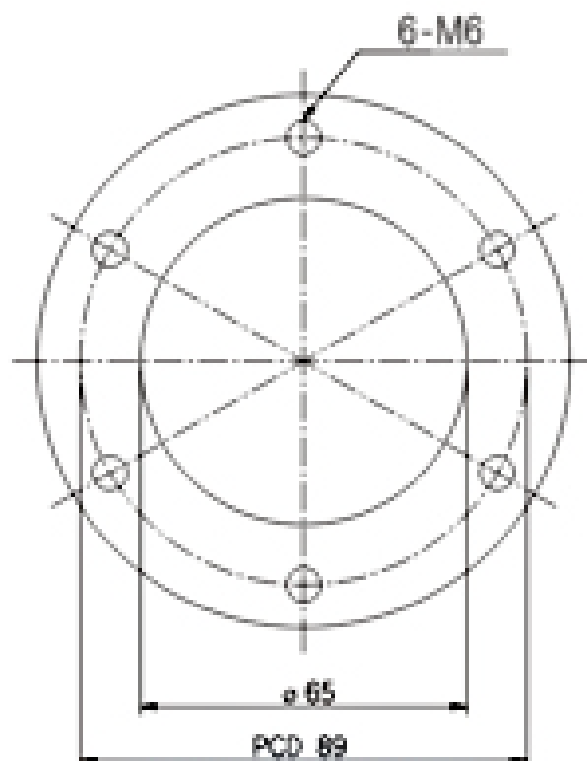
# TANK MACHINING DETAIL



〈SH-AB-1380〉



〈SH-AB-1163〉



〈SH-AB-1130〉

Part Number	Displacement (L/min)	Rating Micron	øA (mm)	øD (mm)	H (mm)	H1 (mm)	Air flow (m <sup>3</sup> /min)
SH-AB-1380	270	40	52	29	112	49	0.30
SH-AB-1163	720	40	82	48	160	59	0.75
SH-AB-1130	960	40	107	65	188	83	0.95