

ALL STAINLESS STEEL FILLED PRESSURE GAUGES



APPLICATIONS

For corrosive atmospheres and fluids, resistant to high dynamic pressure loads and vibrations. Well suited for the process industry applications including: Petrochemical, Chemical plants, and energy etc.

SPECIFICATIONS

DIMENSIONS

CONTENTS

63mm

ACCURACY

Class $\pm 1.5\%$

PRESSURE RANGES

-1/0 to -1/+20 kg/cm² (bar)
0/1 to 0/1000 kg/cm² (bar)

TEMPERATURE

Working temperature 100°C max.
Ambient temperature around: -25°C~60°C
AISI 316, LM or LBM/CBM

CONNECTIONS

Size:14mm
1/4", PT, NPT, PF, BSP

SENSING ELEMENT

Bourdon tube, AISI 316
DIN 50049 (AISI 316 Ti)
<70 kg/cm² (bar) Coil
 ≥ 70 kg/cm² (bar) Helicoil

MOVEMENT

AISI 316

DIAL

White aluminium, black lettering

POINTER

Black aluminium

CASE

AISI 304

UPPER RING

AISI 304

FILLING

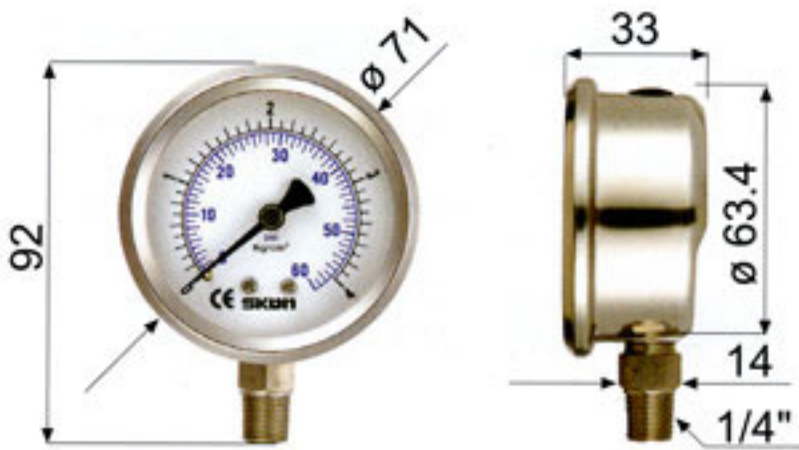
Glycerine (99.5%)

WINDOW

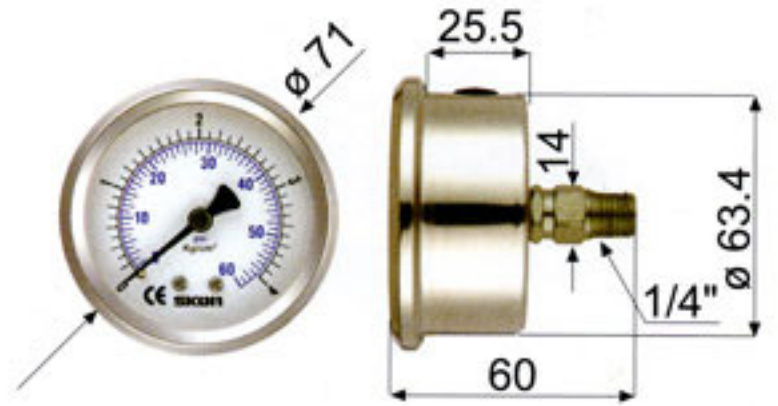
Normal glass,
Laminated safety glass
Acrylic

ORDER OPTIONS

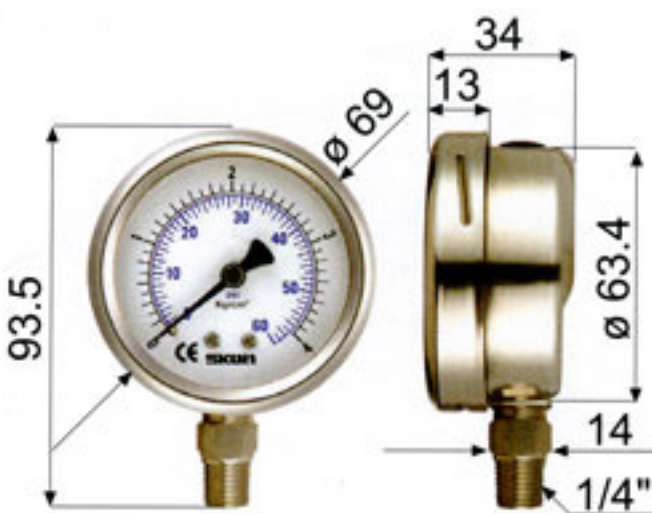
Filling fluids optional
Flange
Red mark pointer
U-shape clamp



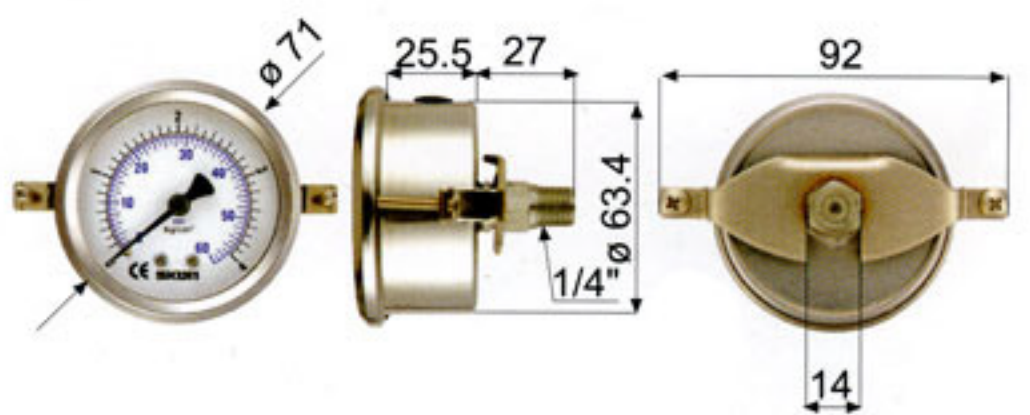
321.23



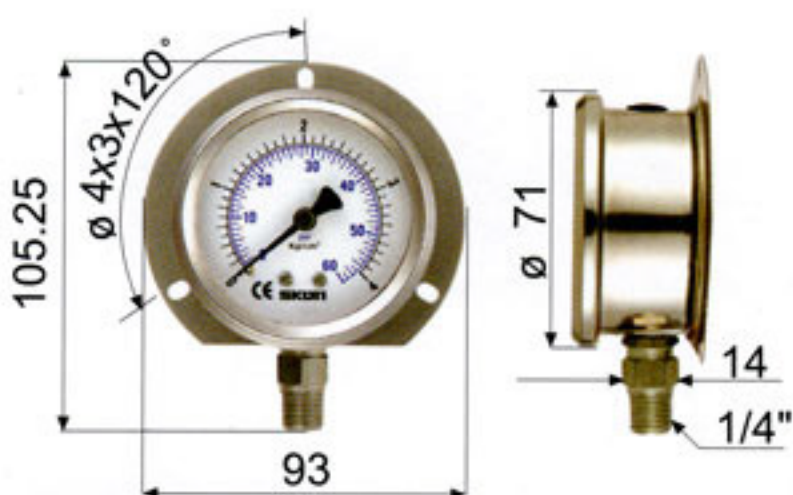
324.23



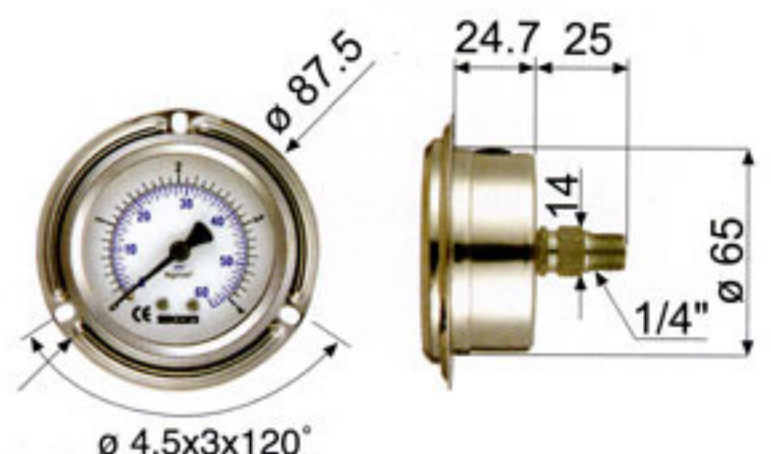
331.23



328.23



322.23



326.23

ALL STAINLESS STEEL FILLED PRESSURE GAUGES



APPLICATIONS

For corrosive atmospheres and fluids, resistant to high dynamic pressure loads and vibrations. Well suited for the process industry applications including: Petrochemical, Chemical plants, and energy etc.

SPECIFICATIONS

DIMENSIONS

CONTENTS

100mm

ACCURACY

Class $\pm 1.0\%$

PRESSURE RANGES

-1/0 to -1/+20 kg/cm² (bar)
0/1 to 0/1500 kg/cm² (bar)

TEMPERATURE

Working temperature 100°C max.
Ambient temperature around: -20°C~60°C
AISI 316, LM or LBM/CBM

CONNECTIONS

Size : 22mm
3/8", PT, NPT, PF, BSP
1/2", PT, NPT, PF, BSP

SENSING ELEMENT

Bourdon Tube, AISI 316
DIN 50049 (AISI 316 Ti)
<70 kg/cm² (bar) Coil
 ≥ 70 kg/cm² (bar) Helicoil

MOVEMENT

AISI 316

DIAL

White aluminium, black lettering

POINTER

Black aluminium

CASE

AISI 304

UPPER RING

AISI 304

FILLING

Glycerine (99.5%)

Normal glass.

WINDOW

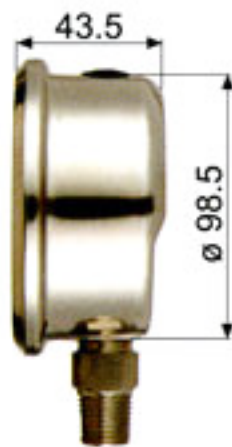
Laminated safety glass
Acrylic

ORDER OPTIONS

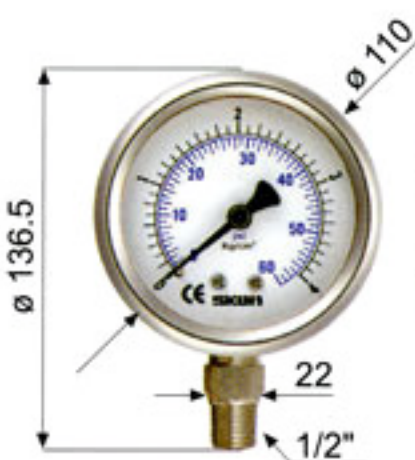
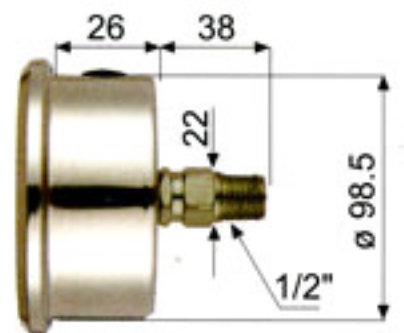
Filling fluids optional
Flange
Red mark pointer
U-shape clamp



421.23



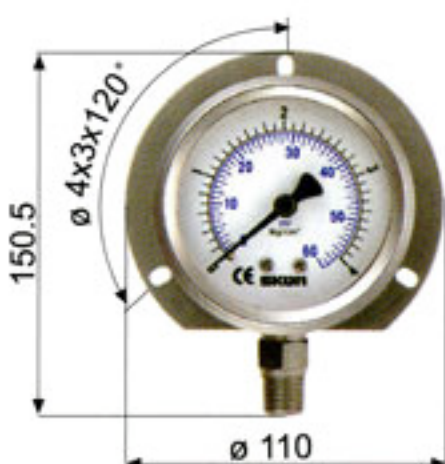
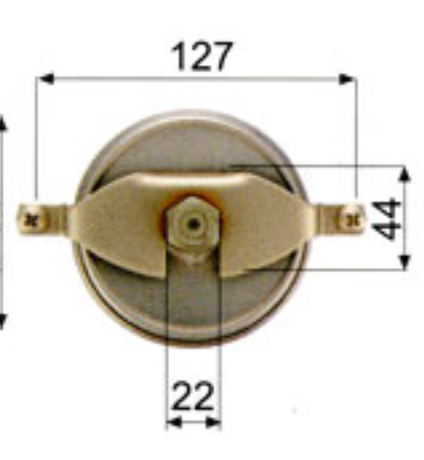
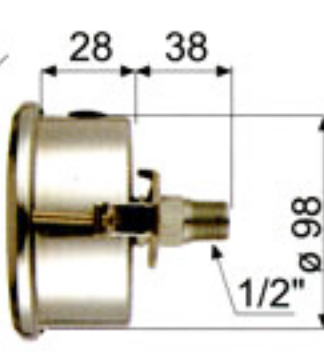
424.23



431.23



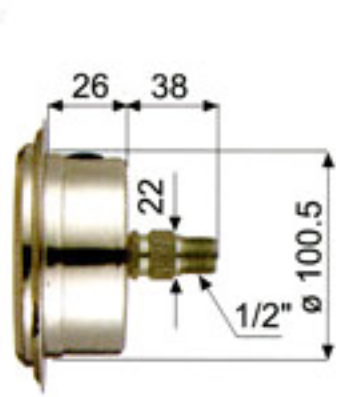
428.23



422.23



426.23



ALL STAINLESS STEEL FILLED PRESSURE GAUGES



APPLICATIONS

For corrosive atmospheres and fluids, resistant to high dynamic pressure loads and vibrations. Well suited for the process industry applications including: Petrochemical, Chemical plants, and energy etc.

SPECIFICATIONS

DIMENSIONS

CONTENTS

100mm

ACCURACY

Class $\pm 1.0\%$

PRESSURE RANGES

-1/0 to -1/+20 kg/cm² (bar)
0/1 to 0/1500 kg/cm² (bar)

TEMPERATURE

Working temperature 100°C max.
Ambient temperature around: -20°C~60°C
AISI 316, LM or LBM/CBM

CONNECTIONS

Size : 22mm
3/8", PT, NPT, PF, BSP
1/2", PT, NPT, PF, BSP

SENSING ELEMENT

Bourdon Tube, AISI 316
DIN 50049 (AISI 316 Ti)
<70 kg/cm² (bar) Coil
 ≥ 70 kg/cm² (bar) Helicoil

MOVEMENT

AISI 316

DIAL

White aluminium, black lettering

POINTER

Black aluminium

CASE

AISI 304

UPPER RING

AISI 304

FILLING

Glycerine (99.5%)

Normal glass.

WINDOW

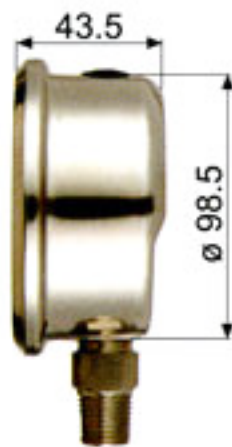
Laminated safety glass
Acrylic

ORDER OPTIONS

Filling fluids optional
Flange
Red mark pointer
U-shape clamp



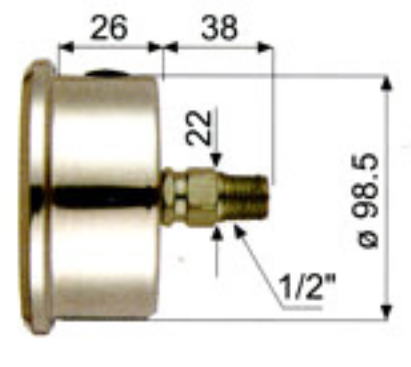
421.23



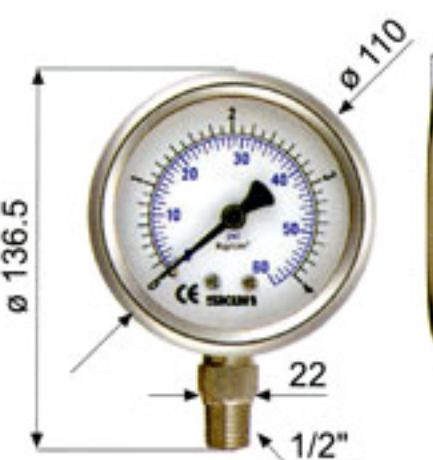
424.23



431.23



428.23



422.23



426.23

